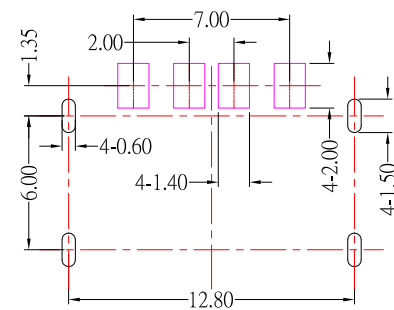
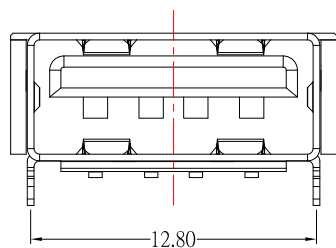


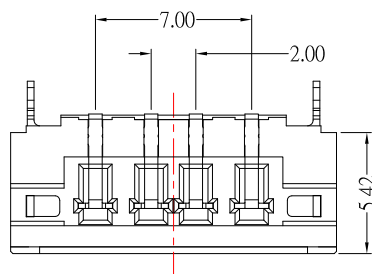
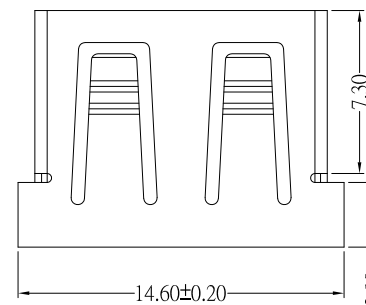
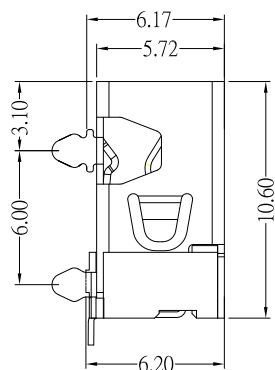
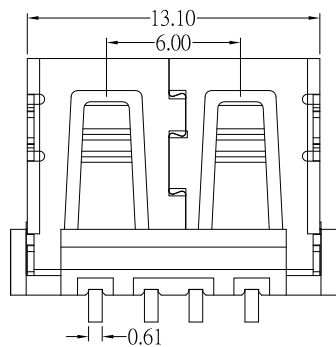
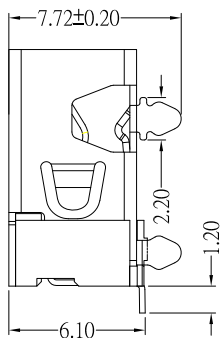


# SUA-110M10A-x-S236

Color :  
 White : W  
 Black : B



RECOMMENDED PCB LAYOUT



## SPECIFICATIONS

### Electrical:

- Contact Resistance: 30 mΩ Max
- Insulation Resistance: 1,000 MΩ Min
- Dielectric Withstanding Voltage: 500 V DC
- Insertion Force: 30N Max
- Extraction Force: 10N Min

### Material:

- Housing: LCP
- Contact: Phosphor Bronze
- Shell: Brass

### Finish:

- Contact: Plated Gold in Mating Area ;  
Tin Plated on Solder Balls ;  
Nickel under plated overall
- Shell: Nickel under Plated surface layer



TOLERANCE UNLESS OTHERWISE STATED:  
 Up to 5 ±0.2  
 Above 5 ~ 15 ±0.3  
 Above 15 ~ 30 ±0.4  
 Above 30 ~ 50 ±0.5  
 Angle ±0.3

3RD. ANGEL'S



UNITS MM

DRAWN BY:	DATE	MAT'L	TITLE	CONNECTOR
Jack Lu	10/28/22			
CHECKED BY:	DATE	FINISH	MODLE	USB AF 短體10.6 無捲邊 SMT , 四腳插板
Jacky Chen	10/28/22			
APPROVED BY:	DATE	SCALE	DWG NO.	SUA-110M10A-x-S236
Tony Kao	10/28/22	1 : 1	PART NO.	SUA-110M10A-x-S236
		SHEET NO.	1 of 1	SIZE A4
				VER R2

2	更新樣式和尺寸	Jack	102822
1	更新圖面	Jack	071218
ITEM NO.	DESCRIPTION	DRAWN	DATE